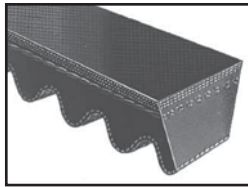




V-BELTS



UniMatch® Cogged Raw Edge Classical V-Belts - AX, BX, CX (Oil & Heat Resistant/Static Dissipating)

ARPM specification multiple V-belts in raw edge, cogged construction are especially useful for high-speed compact drives. These belts all have the UniMatch® feature. Raw edge, cogged multiple V-belts are listed by industry number in which the first letter indicates belt section, the "X" signifies cogged, raw edge that has greater power capacity than the standard wrapped construction. The number is the ARPM belt designation number.

Features & Benefits

- **Raw Edge Sidewalls** - Eliminates slippage and increases efficiency versus wrapped V-belts and saves energy
- **UniMatch® Construction** - Consistent performance in multiple V-belt drives and ensures all belts of the same size measure within ARPM matching limits
- **Oil & Heat Resistant** - Better than standard belts in oily environments (occasional splash) and higher ambient temperatures

Construction

Compound - Chloroprene

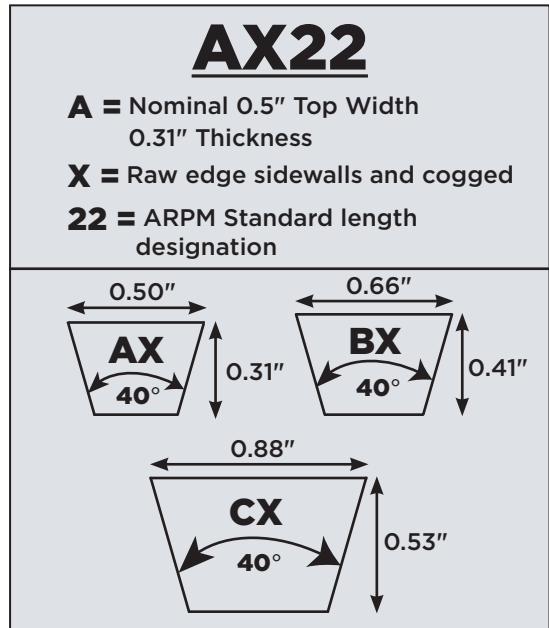
Cord - Polyester

Top Fabric - Cotton/polyester blend

Applications - General Industry, HVAC Equipment, Lawn & Garden, Agriculture

Engineering Standards - Conforms to ARPM standard IP-20

Recommended Pulleys - Use pulleys made to ARPM standards



"AX" SECTION 0.5" TOP WIDTH x 0.31" THICK x 40° ANGLE

● **Note** - For AX Section, add 2 inches for outside length - **Example: AX22 + 2 inches = 24" approximate outside length**

Belt Number	Outside Length (in.)	Approx. Weight (lbs.)	Belt Number	Outside Length (in.)	Approx. Weight (lbs.)	Belt Number	Outside Length (in.)	Approx. Weight (lbs.)	Belt Number	Outside Length (in.)	Approx. Weight (lbs.)
AX22	24.0	0.17	AX40	42.0	0.26	AX58	60.0	0.38	AX78	80.0	0.51
AX23	25.0	0.17	AX41	43.0	0.27	AX59	61.0	0.40	AX80	82.0	0.52
AX24	26.0	0.17	AX42	44.0	0.28	AX60	62.0	0.40	AX84	86.0	0.54
AX25	27.0	0.18	AX43	45.0	0.29	AX61	63.0	0.40	AX85	87.0	0.55
AX26	28.0	0.18	AX44	46.0	0.30	AX62	64.0	0.41	AX86	88.0	0.56
AX27	29.0	0.18	AX45	47.0	0.31	AX63	65.0	0.41	AX90	92.0	0.59
AX28	30.0	0.19	AX46	48.0	0.31	AX64	66.0	0.42	AX92	94.0	0.61
AX29	31.0	0.20	AX47	49.0	0.31	AX65	67.0	0.43	AX96	98.0	0.62
AX30	32.0	0.20	AX48	50.0	0.32	AX66	68.0	0.43	AX105	107.0	0.68
AX31	33.0	0.21	AX49	51.0	0.33	AX67	69.0	0.44	AX108	110.0	0.70
AX32	34.0	0.21	AX50	52.0	0.33	AX68	70.0	0.45	AX110	112.0	0.71
AX33	35.0	0.22	AX51	53.0	0.34	AX69	71.0	0.46	AX112	114.0	0.73
AX34	36.0	0.23	AX52	54.0	0.35	AX70	72.0	0.46	AX120	122.0	0.74
AX35	37.0	0.24	AX53	55.0	0.35	AX71	73.0	0.47	AX128	130.0	0.78
AX36	38.0	0.24	AX54	56.0	0.36	AX72	74.0	0.48	AX136	138.0	0.82
AX37	39.0	0.25	AX55	57.0	0.36	AX73	75.0	0.48			
AX38	40.0	0.26	AX56	58.0	0.37	AX75	77.0	0.49			
AX39	41.0	0.26	AX57	59.0	0.37	AX76	78.0	0.50			